

# Commander Elite

AUSTRALIA'S FAVOURITE SECTIONAL DOOR OPENER



**RESIDENTIAL SECTIONAL & TILT GARAGE DOOR OPENER**  
MYQ & BATTERY BACKUP CAPABLE

## KEY FEATURES

### POWERFUL LED LIGHTING

Illuminate your garage corner-to-corner.

### MYQ CAPABLE

Opener is myQ capable for sectional doors with an additional purchase of Safety IR Beams & myQ Gateway.<sup>1</sup>

### BATTERY BACKUP COMPATIBLE

Opener is Battery Backup compatible with additional purchase of Battery Backup accessory.<sup>2</sup>



Compliant to Australian and New Zealand Standard AS/NZS 60335-2-95

## SMART



**MYQ CAPABLE TECHNOLOGY** lets users create schedules, monitor, receive alerts and control the garage door opener away from home.<sup>1</sup>



**SOFT-START AND SOFT-STOP** for smooth operation.

## QUIET & RELIABLE



**7-YEAR WARRANTY**



**QUIET DC MOTOR** eliminates noise and vibrations through the ceiling and provide smooth operation.



**BATTERY BACKUP** ensures access even when the power is out.<sup>2</sup>



**HEAVY-LIFTING POWER** operates doors up to 150 kgs.

## SAFE & SECURE



**SECURITY+ 2.0**<sup>®</sup> sends a new code with every remote click.



**PREMIUM AUTOMATIC SAFETY REVERSE** function will allow your garage door to stop and reverse automatically if obstructed going down or stop going up.



**TIMER-TO-CLOSE** automatically closes the door after a pre-set amount of time.<sup>3</sup>



**IMPROVED TRANSMITTER RANGE** has up to 18% better range meaning you can start opening your garage door sooner.<sup>4</sup>



**AUTOMATIC FORCE SENSING** monitors and adjusts the force needed to open your garage with each operation.



**MANUAL RELEASE CORD** allows you to open your garage door whenever needed.

## ACCESSORIES INCLUDED



### FOUR BUTTON REMOTE CONTROLS

Premium remotes to control up to 4 garage doors or gates. Each button can be programmed to Security+ and Security+ 2.0 devices.

E770M



### FOUR BUTTON WIRELESS WALL MOUNT REMOTE CONTROL

4 button wall remote to control garage doors, gates and myQ Remote LED Light. Easily programmed to Security+ and Security+ 2.0 devices.

E148M

## POWERFUL ADD-ONS



### MYQ CONNECTIVITY BUNDLE

Add monitoring and control away from home. Includes myQ Gateway and The Protector System™ (Safety IR Beams).

M828AU74



**MYQ REMOTE LED LIGHT** Ultra-bright LED light designed to illuminate your garage or workspace. Controlled by a garage door opener, remote control or myQ App.

827AU



### BATTERY BACKUP

Get in and out when the power's out with Battery Backup.

M-9BU24V



### WIRELESS SECURITY KEYPAD

Convenient and safe access to your garage without using a remote control or key.

E840M



### FOUR BUTTON CAR VISOR REMOTE CONTROL

Easily attaches to your car visor to control up to 4 garage doors or gates. Can be programmed to Security+ and Security+ 2.0 devices.

E964M

[gomerlin.com.au](http://gomerlin.com.au)

<sup>1</sup>Additional purchase of Merlin myQ Gateway and Safety IR Beams accessories required to enable myQ functionality. myQ will only work with Sectional Garage Doors. Visit [gomerlin.com.au](http://gomerlin.com.au) for further information. <sup>2</sup>Additional purchase of Merlin Battery Backup accessory required to enable Battery Backup functionality. Visit [gomerlin.com.au](http://gomerlin.com.au) for further information. <sup>3</sup>Safety IR Beams must be installed to enable the use of Timer-to-Close. See User Guide for additional information. Smartphone not included. <sup>4</sup>When compared to other available Merlin products.

# Commander Elite

AUSTRALIA'S FAVOURITE SECTIONAL DOOR OPENER  
MS105MYQ



RESIDENTIAL SECTIONAL & TILT GARAGE DOOR OPENER  
MYQ & BATTERY BACKUP CAPABLE

## Works with myQ<sup>2</sup> smart technology

Additional purchase of The myQ Connectivity Kit is required



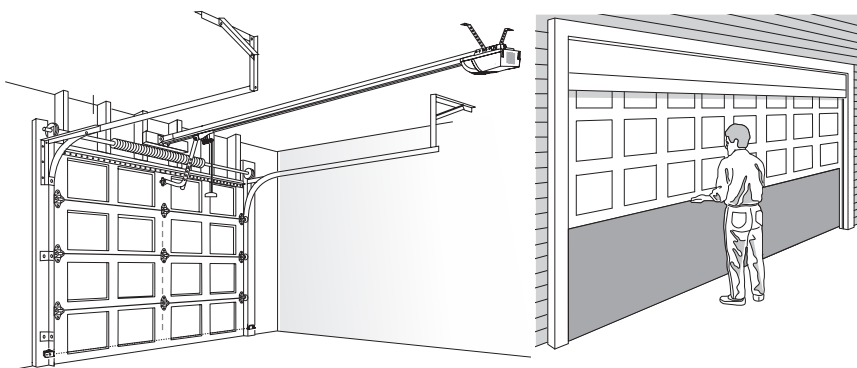
### FOR SECTIONAL DOORS

- Set real time notifications to alert you when your garage opens, closes or is left open.
- Monitor and control your garage door from anywhere.
- Share limited guest access with five people you trust.
- Pre-set scheduling to close your garage door at a certain time.
- Protect your loved ones and belongings with The Protector System™ (Safety IR Beams).
- Peace of mind knowing if your garage door is open or closed anywhere and any time.

APP AVAILABLE ON:



## TYPICAL INSTALLATION - SECTIONAL DOORS



- Maximum lifting under spring tensions 20 kg
- Suitable for steel and timber spring balanced doors
- Door height: 3.5m Door width: 5.7m Total door area: 20m<sup>2</sup>
- Single dwelling, max door weight up to 150 kg



18  
SECONDS

22  
SECONDS

SECURITY



### SECURITY+ 2.0®

- Encrypted rolling code across multiple frequencies.
- Security+ 2.0® technology virtually eliminates interference.

SMART



### RADIO

- Provides 2-way communication from rolling door opener and accessories.
- Receiver with 64 memory registers.

ELECTRICAL



### LIGHTING: LED LIGHTING

- LED light turns on with activation.
- Turns off 2.5 minutes after operation.

## STANDARD SPECIFICATIONS

- Input voltage: 240V AC
- Rated door areas up to: 20m<sup>2</sup>
- Max door height: 3.5m
- Max door weight: 150 kg
- Max peak pulling force: 1000N
- Max lift under spring tension: 20 kg
- Power: 230-240 VAC 50hz 225w
- Radio frequency: 433.30, 433.92, 434.54 MHz with Security+ 2.0 technology
- Minimum headroom required: 30mm
- C-rail with belt drive
- 24C DV motor with thermal overload protection
- Compatible with myQ Technology<sup>2</sup>
- Lighting: LED Lighting
- Garage Door Opener Capacity of up to 64 memory registers

# Merlin®



## AUSTRALIA

Chamberlain Australia Pty Ltd  
PO Box 1446  
Lane Cove NSW 1595

[gomerlin.com.au](http://gomerlin.com.au)  
**1800 638 234**

Engineered and designed by The Chamberlain Group, Inc.  
©2021 The Chamberlain Group, Inc.™ Trademark of The Chamberlain Group, Inc.  
® Registered Trademark of The Chamberlain Group, Inc.



<sup>1</sup>Based upon a 2.4m high door. <sup>2</sup>This feature requires monitored Safety IR Beams to be fitted. Linking your myQ account to partner may require an additional accessory purchase or subscription fee. Apple, the Apple logo, iPhone, and iPad are trademarks of Apple Inc., registered in the U.S. and other countries and regions. App Store is a service mark of Apple Inc. Google Play and the Google Play logo are trademarks of Google LLC.